

Dia. 25mm immersion heaters thermowells, without thread, for corrosive baths


Minimum Size	Maximum Size	Material	Type	Model
Dia. 25 × 110mm	Dia. 25 × 1000mm	316 stainless steel Titanium	Pocket with compression type gasket	66TTL4 66TNL4

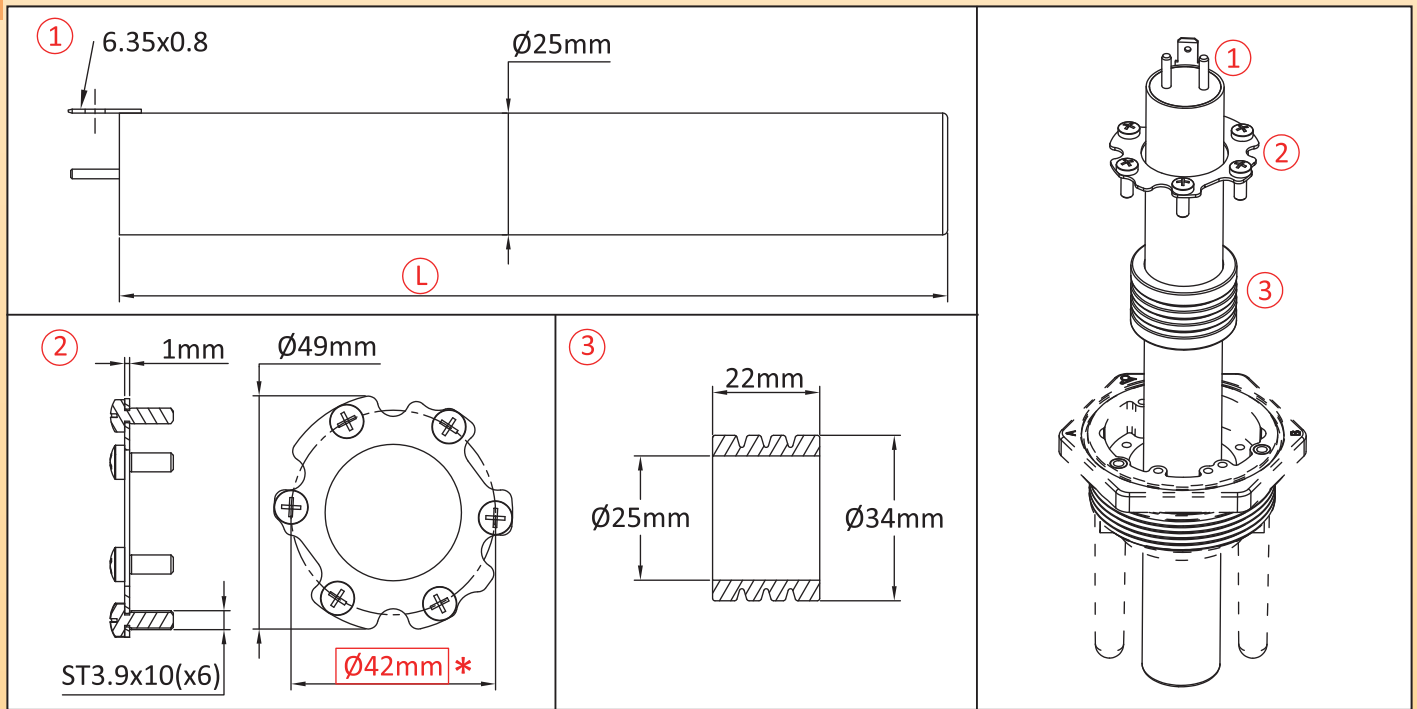
Compatible with:

66RW

66RY

Designed to fit 25mm cartridge heaters or 25mm dia. pockets.





Main references

With empty dia. 25mm pocket			
①	③	L	References(①+②+③)
316L	Silicone	450mm	66TTL4264507250S
316L	Silicone	600mm	66TTL4266007250S
316L	Silicone	800mm	66TTL4268007250S
316L	FKM(Viton)	450mm	66TTL4264507250K
316L	FKM(Viton)	600mm	66TTL4266007250K
316L	FKM(Viton)	800mm	66TTL4268007250K
Titanium	FKM(Viton)	450mm	66TNL4264507250K
Titanium	FKM(Viton)	600mm	66TNL4266007250K
Titanium	FKM(Viton)	800mm	66TNL4268007250K

Gasket and ring only, for customer's own cartridge heater


Reference(②+③) with silicone gasket

66TOL4260000000S


Reference(②+③) with FKM gasket

66TOL4260000000K


Links



Page (.pdf)



Drawing 2D (.dwg)



Drawing 3D (.stp)

L length can be made on request. Gasket 3 can be made in NBR.

Red dimensions inside rectangular frames on drawings are used for assembly on enclosures or on fittings.

